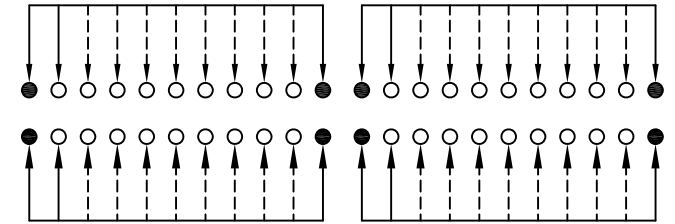
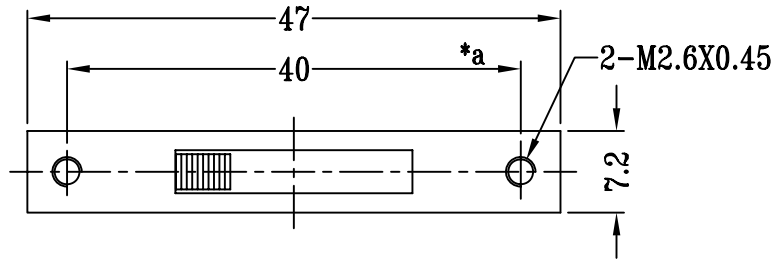
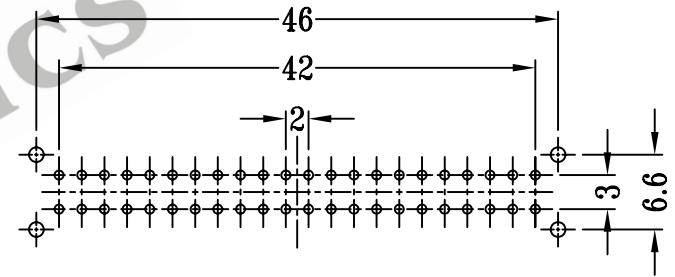
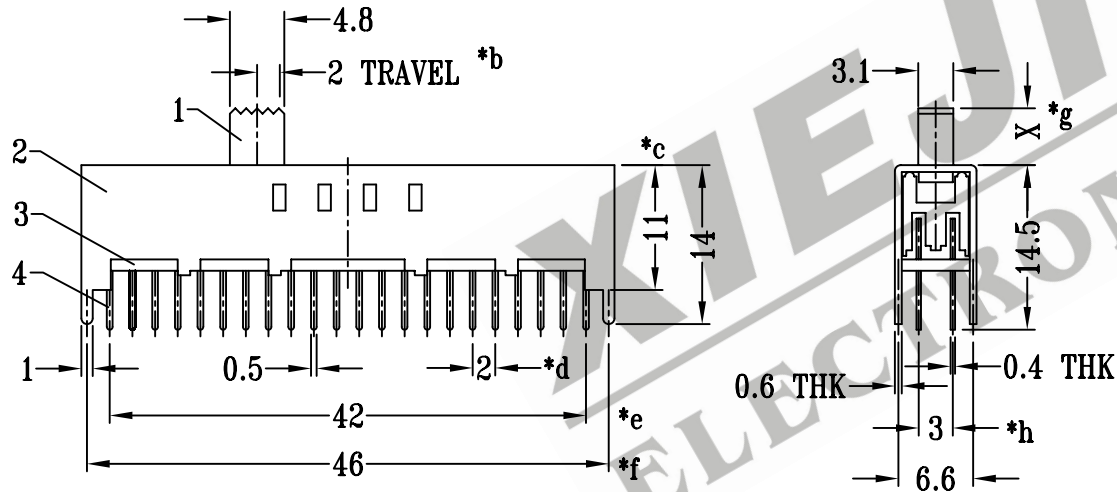


CAD FILE:



SCHMATIC (SHORTING)



P.C.B LAYOUT

注:带*表示关键尺寸(8个)

8					TOLERANCE UNLESS SPECIFIED	SHENZHEN XIEJIA ELECTRONICS CO.,LTD.				
7	STEEL BALL	STEEL	2	NATURAL	WITHIN : 1.5±0.1mm OVER : 1.5±0.2mm	ISSUE	DATE	DESCRIPTIONS OF REVISION		APPD.
6	SPRING	STEEL WIRE	1	TEMPER		TITLE : VERTICAL SLIDE SWITCH				
5	CONTACT CLIP	PBS	4	Ag CLAD	UNIT : mm		DRWG NO.: XJ-DR-SS49D01-00			
4	TERMINAL	BRASS STRIP	44	Ag PLATED OVER Ni PLATED	MODEL: SS-49D01		SCALE: 3:2	DWN.	ZHOUYU	2005-3-28
3	BASE	PHENOLIC RESIN	1	NATURAL	ALL MATERIALS MUST BE COMPLIANT TO ROHS		SCALE: 3:2	CHK'D	FANGYING	2005-3-28
2	FRAME	STEEL STRIP	1	Ni PLATED				APPD.	KANGXINAN	2005-3-28
1	KNOB	POM	1	BLACK						
NO.	PARTS	MATERIALS	Q'TY	FINISH						